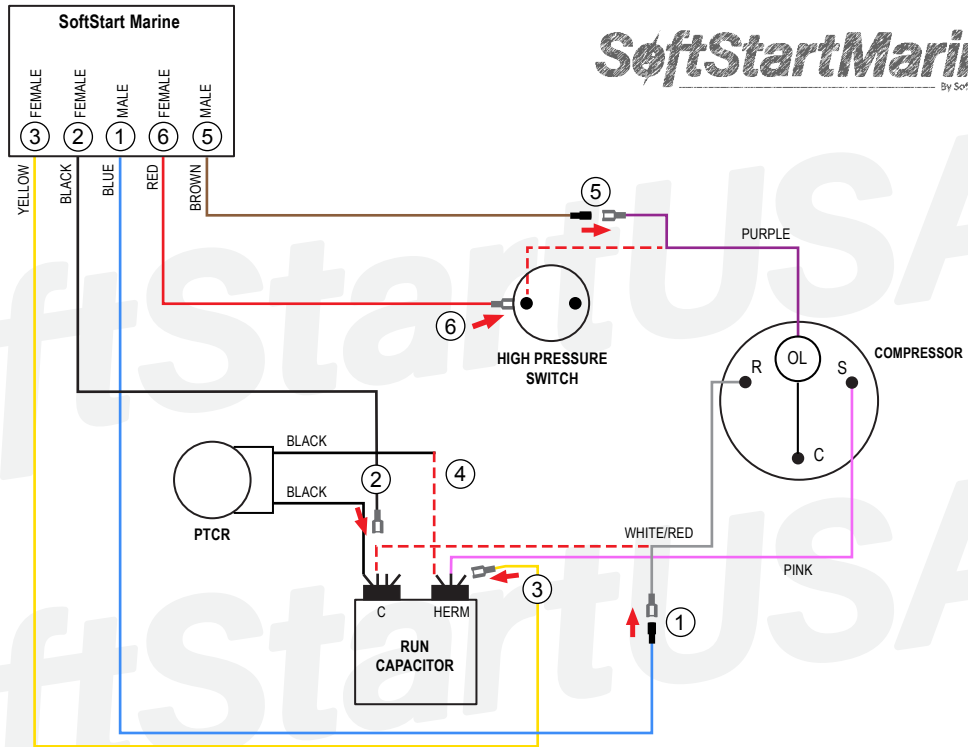


WIRE CONNECTOR GUIDE	
	FEMALE
	MALE



## TURN ALL POWER OFF BEFORE STARTING INSTALLATION.

Route all SoftStart wires into the electrical box. Then crimp Connectors onto all SoftStart wires as indicated in drawing.

- Step ① Follow White/Red Compressor wire from Compressor to Run Capacitor "C" terminal. Disconnect from "C" terminal and connect it to Blue SoftStart wire. Tape connection with electrical tape.
- Step ② Connect Black SoftStart wire to the terminal that the White/Red Compressor wire was on.
- Step ③ Connect Yellow SoftStart wire on empty terminal next to Pink Compressor wire on HERM terminal of Run Capacitor.
- Step ④ Disconnect Black PTCR wire from HERM terminal next to the Pink wire. Seal Black wire end with tape and drop it.
- Step ⑤ Follow Purple Compressor wire to the High Pressure Switch. Disconnect Purple wire and connect it to Brown SoftStart wire. Tape connection.
- Step ⑥ Connect Red SoftStart wire onto the High Pressure Switch terminal that the Purple Compressor wire was on.

Secure all wires. Tape connections with electrical tape.

Turn Power and A/C Breaker on. Turn A/C to Auto Cool setting and set the thermostat to 55°F.

Look at SoftStart Marine RUN LED light (on left side). Green light should be "on". Green light means the Compressor is running (there may be a full 3-minute "Test Mode" delay before Green light comes on). **IF there is no Green light after 4 minutes**, call SoftStart Tech Support for assistance.

After establishing Green light operation, re-install all A/C covers.

Turn A/C on, set near to outdoor temperature and run for 30 minutes.

After 30 minutes, operate A/C normally.